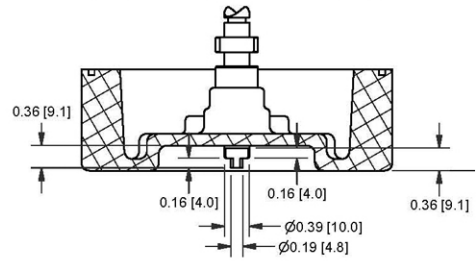
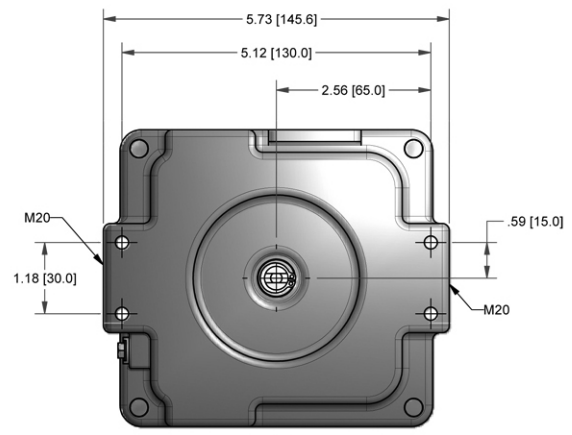
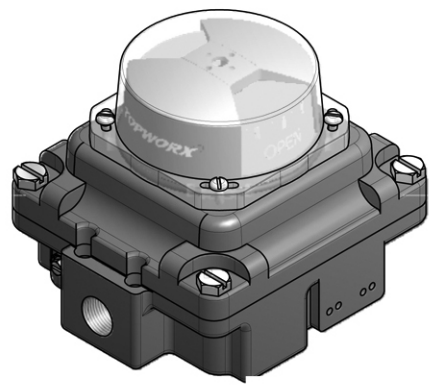


tD



MODEL NO.

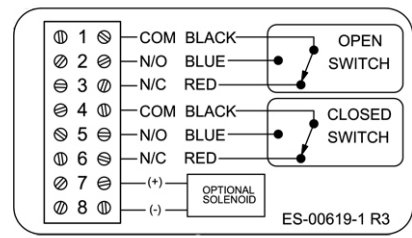
TXP-M2CGNMM

PRODUCT LINE

Valvetop Discrete Valve Controller

SPECIFICATIONS

Model	Valvetop Model TXP, epoxy-coated A360 Aluminum enclosure with dichromate coating
Bus Sensor	(2) Mech SPDT (10A@250VAC)
Area Classification	Flame Proof ATEX/IECEX II2GD Ex d IIC; Ex A21, IP67
Visual Display	90° Green Open / Red Closed
Shaft	NAMUR, 304 Stainless Steel
Conduit Entries	(2) M20
O-Rings	Silicone
Operating Temps*	-40 °C to 80 °C



Current as of Jun 9, 2015 - subject to change without notice.



TopWorx (502) 969-8000 ph.
 3300 Fern Valley Rd. (502) 969-5911 fax
 Louisville, KY 40213 www.topworx.com