

Air release valve
double orifice

PN10
PN16

SEWAGE



Relieve and aeration valve with flange connection



Relieve and aeration valve with threaded

Product description (standard execution):

- Patented self-cleaning sealing with automatic double stage air release nozzle
- Kinetic Single stage air release
- Hydraulic impact prevention
- Stainless steel release device
- Revision for flushing
- Floating switch made of polyethylene
- Bonnet deflector
- NBR sealing parts resistant against municipal sewage
- Body bonnet screws A2 made of stainless steel
- Body bonnet made of stainless steel 1.0037; EN 10025-2
- Epoxy coating minimum 250 microns according to EN 14901
- Product according to EN 1074-4
- Flange connection and connector according EN 1092-2(DIN2501) or threaded connection according to EN 10226-1 pressure PN10, PN16
- Minimum operating pressure equal to atmospheric pressure
- Threaded vent bonnet hole
- Product marking according to EN 19; EN 1074

Application:

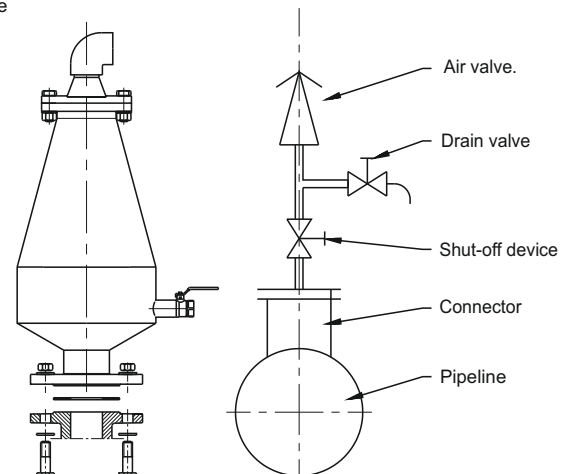
Air release valve intended for use at sewage lines - for air release and aeration of the pipelines. Working conditions: temp. up +70°C

Test control:

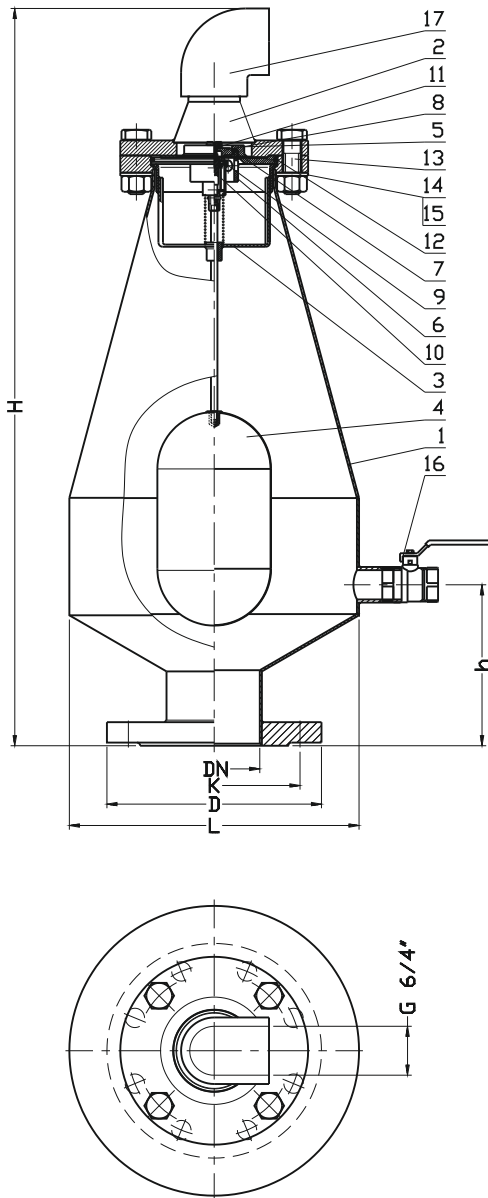
Water pressure test according to EN 1074-1; EN 1074-2; EN 12266-1
Seat: 1,1 x PN
Body: 1,5 x PN

Installation:

Recommended to mount in vertical position in highest or inflection point of pipeline

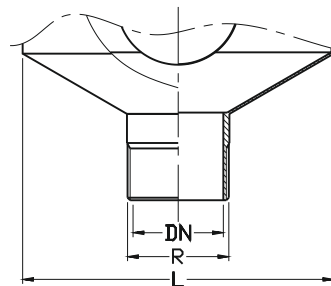


Flange connection



No.	Part	Standard execution
1	Complete body	Steel 1.0037 EN 10025-2
2	Bonnet	Steel 1.0037 EN 10025-2
3	Complete basket	Stainless steel 1.4301 EN 10088-1
4	Float	Polypropylene Stainless steel 1.4301 EN 10088-1
5	Seat	Stainless steel 1.4301 EN 10088-1
6	Basket	Stainless steel 1.4301 EN 10088-1
7	Valve head sealing	Rubber NBR EN ISO 1629
8	Roller	Stainless steel 1.4301 EN 10088-1
9	Sealing	Rubber NBR EN ISO 1629
10	Spring of valve	Stainless steel 1.4301 EN 10088-1
11	Sealing	Rubber NBR EN ISO 1629
12	Sealing ring	Rubber NBR EN ISO 1629
13	Screw	Stainless steel EN ISO 4017
14	Nut	Stainless steel EN ISO 4017
15	Washer	Stainless steel EN ISO 7091
16	Ball valve DN25 PN16	Producer catalog
17	Bend PCV 6/4"	Producer catalog

Threaded connection



DN	H	h	L	D	K	Weight
[mm]						[kg]
50	690	150	270	165	125	16,0
80	690	150	270	200	160	17,0
100	690	150	270	220	180	18,0
150	690	150	270	285	240	21,0
200	690	150	270	340	295	23,0

DN	H	h	L	R	Weight
[mm]					[kg]
50	690	150	270	2"	15,0
80	690	150	270	3"	16,0