

NO.	PART NAME	QTY Nos	MATERIAL
01	BODY	1	CI/DI/CF8/CF8M *
01.1	LINING	1	UL/RL **
02	DIAPHRAGM	1	RUBBER
03	COMPRESSOR	1	CI *
04	BONNET	1	CI/DI *
05	SPINDLE	1	STEEL
12	BRACKET PLATE	1	CI *
13	PNEUMATIC ACTUATOR	1	DP32/DP33/DP34

*: CI (GG 25)
 DI (GGG 40)
 CF8-ASTM A351 Gr CF8
 CF8M-ASTM A351 Gr CF8M

** : UL: UNLINED RL: RUBBER LINED

VALVE SIZE	ACTUA. TYPE	L			H	ØA	PN 10				ANSI 150				WT. kg	
		BS		DIN			ØD	n	Ød	ØK	ØD	n	Ød	ØK	BS	DIN
		UL	RL	UL/RL												
DN 15	DP32021020NA	108	114	130	420	250	95	4	14	65	89	4	16	60.3	14	14
DN 20	DP32021020NA	117	123	150	423	250	105	4	14	75	98	4	16	69.8	14	14
DN 25	DP32021030NA	127	133	160	453	250	115	4	14	85	108	4	16	79.4	14	15
DN 32	DP32021030NA	146	152	180	455	250	140	4	18	100	117	4	16	88.9	16	17
DN 40	DP32021030NA	159	165	200	463	250	150	4	18	110	127	4	16	98.4	20	21
DN 50	DP32021030NA	190	196	230	493	250	165	4	18	125	152	4	19	120.6	27	28
DN 65	DP34021050NA	216	222	290	685	405	185	4	18	145	178	4	19	139.7	70	73
DN 80	DP34021065NA	254	260	310	716	405	200	8	18	160	191	4	19	152.4	77	79
DN 100	DP34021065NA	305	313	350	754	405	220	8	18	180	229	8	19	190.5	91	93
DN 125	DP34021065NA	356	364	400	780	405	250	8	18	210	254	8	22	215.9	109	111

Dimensions in mm. subject to manufacturing tolerance
 Dimensiones en mm. sujetos a tolerancias de fabricación

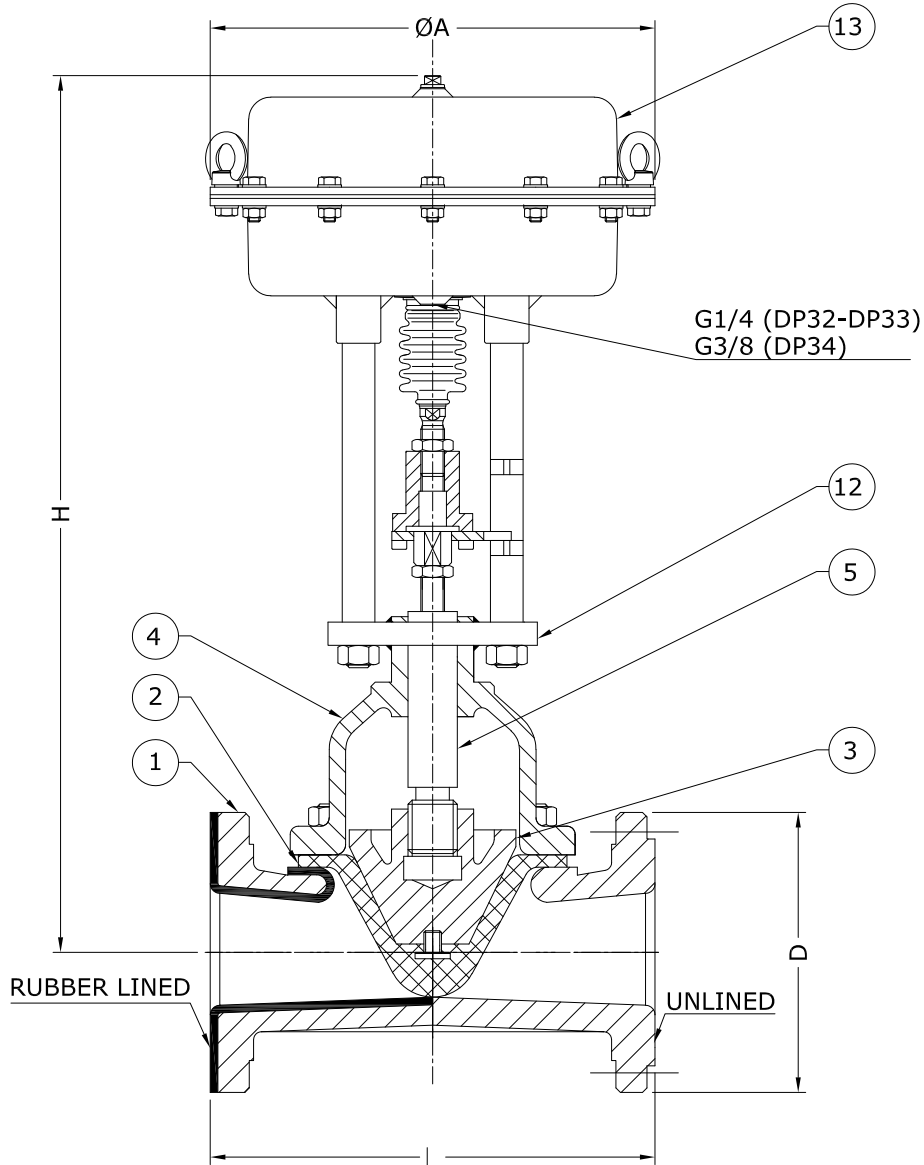
Data subject to alteration due to continuous improvement.
 Sujeto a cambios debido a la mejora continua de nuestros productos.

Customer/Cliente -	Project/Proyecto -	Description/Descripción DIAVAL® DIAPHRAGM VALVE ST TYPE + PNEUMATIC ACTUATOR DP SERIES DIRECT ACTING-SPRING TO OPEN RUBBER DIAPHRAGM	
Your Ref./Su Ref. -	Our Ref./Nuestra Ref. -		
	Rev. 1	Rev. 2	Rev. 3
Date/Fecha			
Name/Nombre			
		Drawn/Dibujado EH	Approved/Aprobado JG
		Checked/Comprob. DT	Date/Fecha 07/09/2012
		Drawing N°/Plano N° ST+D10/70+DP-NO	

NO.	PART NAME	QTY Nos	MATERIAL
01	BODY	1	CI/DI/CF8/CF8M *
01.1	LINING	1	UL/RL **
02	DIAPHRAGM	1	RUBBER
03	COMPRESSOR	1	CI *
04	BONNET	1	CI/DI *
05	SPINDLE	1	STEEL
12	BRACKET PLATE	1	CI *
13	PNEUMATIC ACTUATOR	1	DP32/DP33/DP34

*: CI (GG 25)
DI (GGG 40)
CF8-ASTM A351 Gr CF8
CF8M-ASTM A351 Gr CF8M

** : UL: UNLINED RL: RUBBER LINED



VALVE SIZE	ACTUA. TYPE	L			H	ØA	PN 10				ANSI 150				WT. kg	
		BS		DIN			ØD	n	Ød	ØK	ØD	n	Ød	ØK	BS	DIN
		UL	RL	UL/RL												
DN 15	DP32041220	108	114	130	420	250	95	4	14	65	89	4	16	60.3	14	14
DN 20	DP32082420	117	123	150	423	250	105	4	14	75	98	4	16	69.8	14	14
DN 25	DP32082430	127	133	160	453	250	115	4	14	85	108	4	16	79.4	14	15
DN 32	DP32082430	146	152	180	455	250	140	4	18	100	117	4	16	88.9	16	17
DN 40	DP32082430	159	165	200	463	250	150	4	18	110	127	4	16	98.4	20	21
DN 50	DP33153030	190	196	230	550	300	165	4	18	125	152	4	19	120.6	33	34
DN 65	DP34082450	216	222	290	685	405	185	4	18	145	178	4	19	139.7	70	73
DN 80	DP34102065	254	260	310	716	405	200	8	18	160	191	4	19	152.4	77	79
DN 100	DP34204065	305	313	350	754	405	220	8	18	180	229	8	19	190.5	91	93
DN 125	DP34204065	356	364	400	780	405	250	8	18	210	254	8	22	215.9	109	111

Dimensions in mm. subject to manufacturing tolerance
Dimensiones en mm. sujetas a tolerancias de fabricación

Data subject to alteration due to continuous improvement.
Sujeto a cambios debido a la mejora continua de nuestros productos.

Customer/Cliente -		Project/Proyecto -		Description/Descripción DIAVAL® DIAPHRAGM VALVE ST TYPE + PNEUMATIC ACTUATOR DP SERIES REVERSE ACTING-SPRING TO CLOSE RUBBER DIAPHRAGM	
Your Ref./Su Ref. -		Our Ref./Nuestra Ref. -			
		Rev. 1	Rev. 2	Rev. 3	
Date/Fecha					
Name/Nombre		Drawn/Dibujado EH		Approved/Aprobado JG	Drawing N°/Plano N°
		Checked/Comprob. DT		Date/Fecha 07/09/2012	ST+D10/70+DP-NC