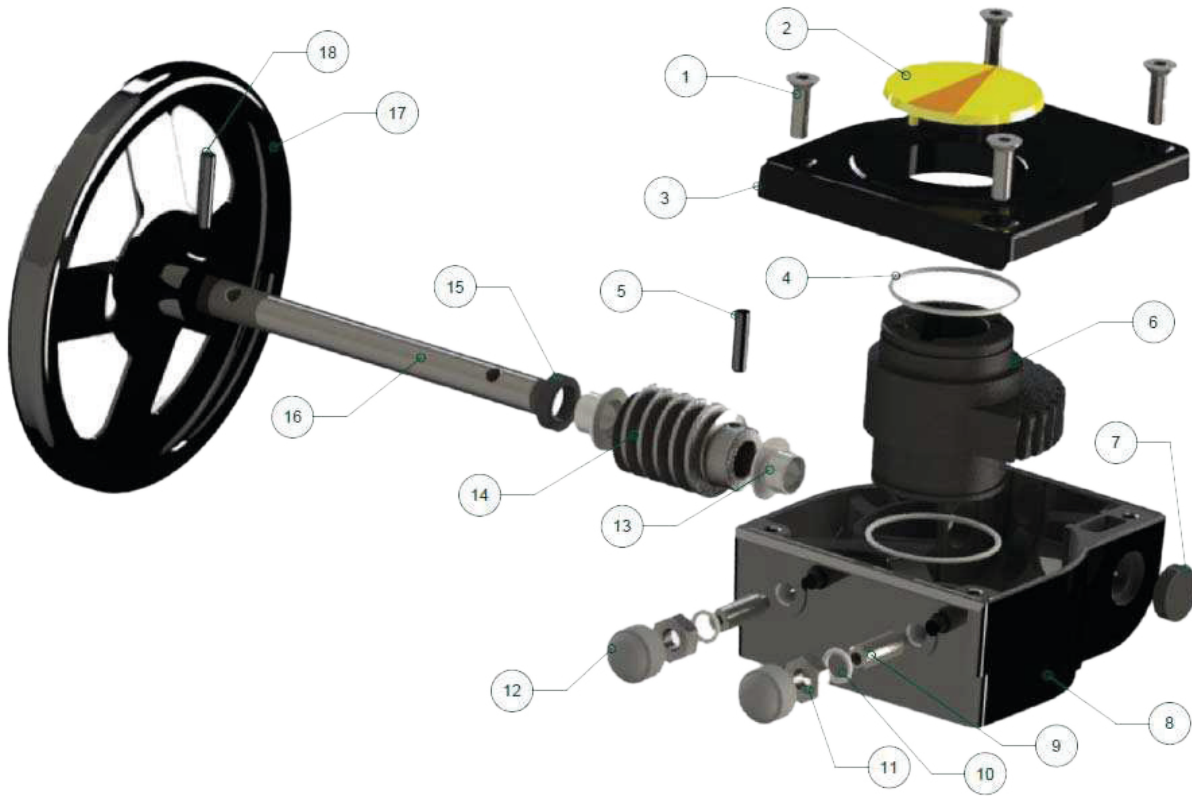


Actuation

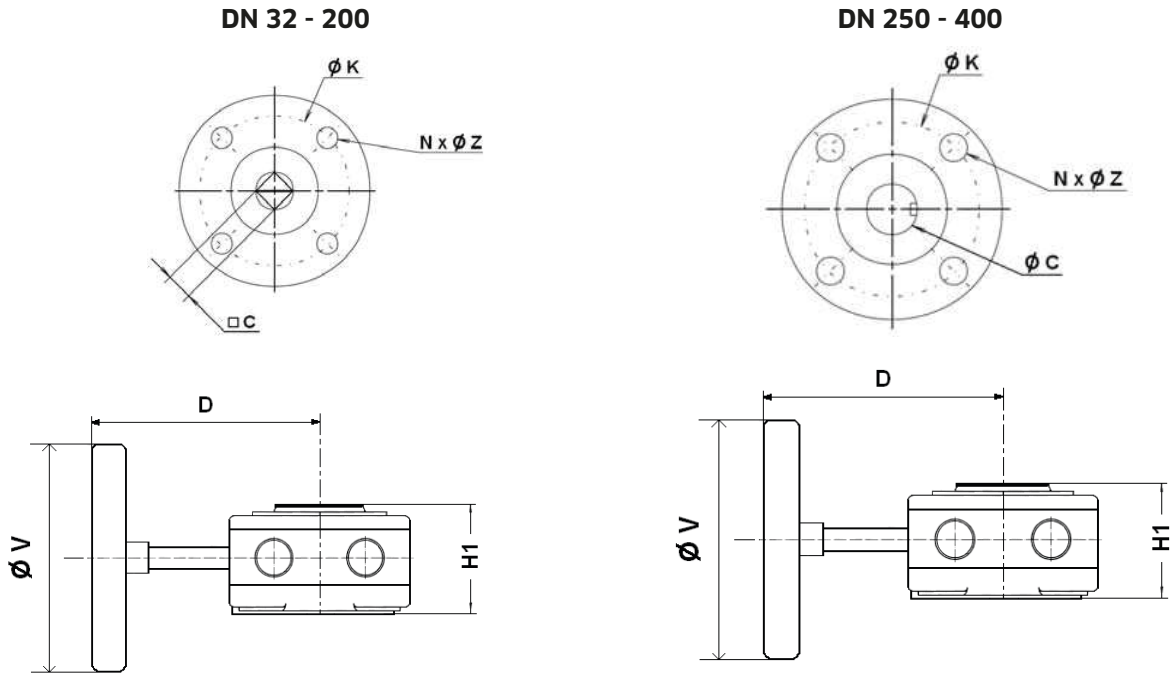
Gear box:



Item	Description	Materials Ref. 1197
1	Screw	SS 304
2	Pointer	Polypropylene
3	Bonnet	Aluminium
4	O-Ring	NBR
5	Pin	Carbon steel
6	Pinion	Ductile iron EN GJS-400-15
7	Gasket	NBR
8	Body	Aluminium
9	Adjusting bolt	Carbon steel
10	Washer	Galvanized steel
11	Nut	Galvanized steel
12	Cap	NBR 70
13	Bushing	Bronze
14	Rack	Carbon steel 45
15	Gasket	NBR
16	Stem	Carbon steel 45
17	Handwheel	Carbon steel
18	Pin	Carbon steel

Dimensions

Gear box:



DN	32/50	65	80/100	125/150	200	250	300	350	400	450	500
D	120	120	120	136	136	223	223	345	345	364	386
H1	58	58	58	58	58	74	74	98	98	90	98
ØV	140	140	140	200	200	300	300	400	400	600	600
C	8	9	11	14	17	19	22	22	27	50	50
ØK	70	70	70	70	70	102	102	140	140	140	140
ISO	F07	F07	F07	F07	F07	F10	F10	F14	F14	F14	F14
N x ØZ	4 x M8	4 x M8	4 x M8	4 x M8	4 x M8	4 x M10	4 x M10	4 x M16	4 x M16	4 x M16	4 x M16
Weight (kg)	1.35	1.35	1.35	1.75	1.75	4	4	9.5	9.5	18.8	26.8

DN	600	700	750	800	900	1000	1100	1200	1300	1400
D	421	440	440	438	492	492	492	550	605	605
H1	122	117	117	117	125	125	125	115	178	178
ØV	700	500	500	700	600	600	600	800	700	700
C	60	60	65	65	80	80	80	100	120	120
ØK	165	254	254	254	254	254	254	254	298	298
ISO	F16	F25	F25	F25	F25	F25	F25	F25	F30	F30
N x ØZ	4 x M20	8 x M16	8 x M16	8 x M16	8 x M16	8 x M16	8 x M16	8 x M16	8 x M20	8 x M20
Weight (kg)	38.3	49	49	51.3	74.8	74.8	74.8	86.5	232	232