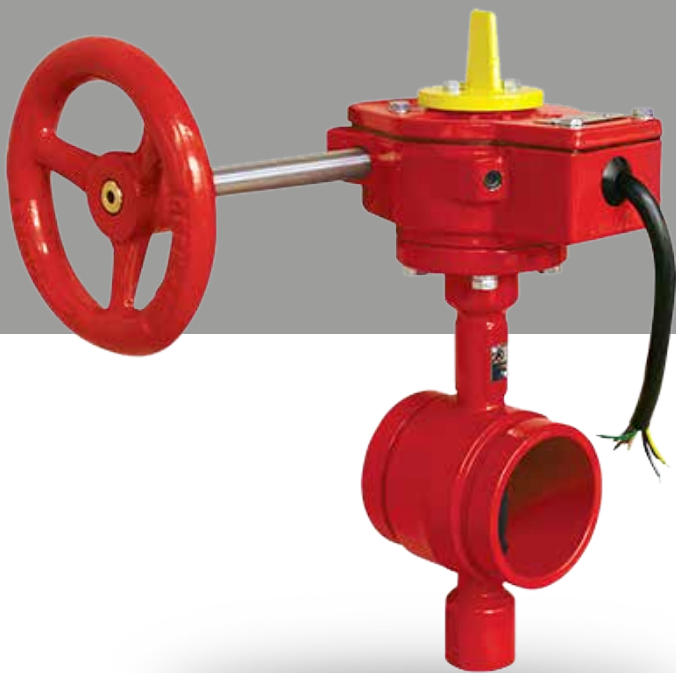


25F

SERIES



GROOVED BUTTERFLY VALVE

UTILIZATION:

- Grooved Butterfly valves for fire fighting installations
- It has low pressure drop, is 100 % watertight and UL-FM certified

SERIE - 25F

GROOVED BUTTERFLY VALVE



GENERAL FEATURES:

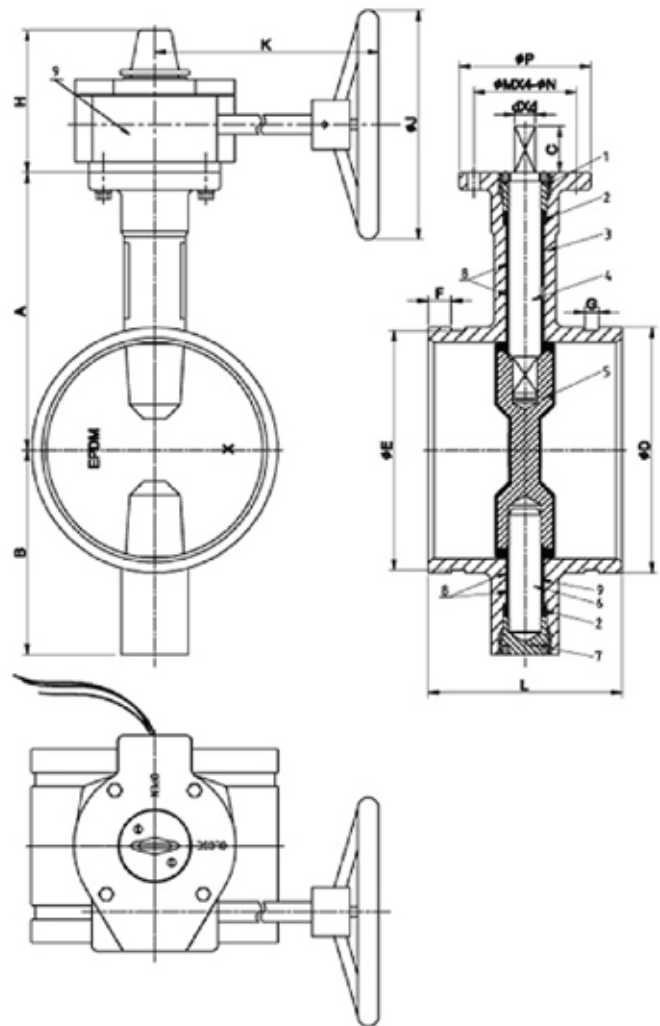
- Low pressure drop
- 100% water tight
- Bidirectional flow
- No gaskets are required for installation
- Stainless steel screws
- Working pressure up to 16 bar
- Limit switches included
- Working temperature between -10°C and 90°C

STANDARDS APPLIED:

- Hydrostatic tests according to EN 12266-1, class A
- EC Directive
- UL-FM certification
- Mounting flange according to ISO 5211

DESCRIPTION

1	UPPER SHAFT RETAINING NUT	WCB
2	TORIC JOINT	EPDM
3	BODY	GJS400
4	TOP SHAFT	AISI 416
5	DISC	GJS400 + EPDM
6	LOWER SHAFT	AISI 416
7	LOWER SHAFT RETAINING NUT	WCB
8	SIDE JOINTS	EPDM
9	BEARING	PTFE
10	GEARBOX WITH LIMIT SWITCHES	GJS400
	PAINTING	Epoxi 250 µm



DIMENSIONS

DN	A	B	C	D	H	E	F	G	H	K	J	P	M	N	d	L	
50	110	85	32	60.3	111	57.15	15.9	7.9	111	153	218	152	90	70	9	10	88
65	125	95	32	76.1	111	72.3	15.9	7.9	111	153	218	152	90	70	9	10	96.4
80	140	100	32	88.9	111	84.9	15.9	7.9	111	153	218	152	90	70	9	11	97
100	160	100	32	114.3	111	110.1	15.9	9.5	111	153	218	152	90	70	9	14	115.1
125	170	125	32	139.7	111	135.5	15.9	9.5	111	153	218	152	90	70	9	14	132.4
150	190	140	32	165.1	111	160.9	15.9	9.5	111	153	218	200	90	70	9	16	132.4
200	230	175	32	219.1	126	214.4	19	11.1	126	210	232	300	125	102	12	19	147.4
250	260	200	45	273	126	268.3	19	12.7	126	210	232	300	125	102	12	24	159
300	300	240	45	323.8	161	318.3	19	12.7	161	249	350	150	125	14	26	165	