

24A SERIES



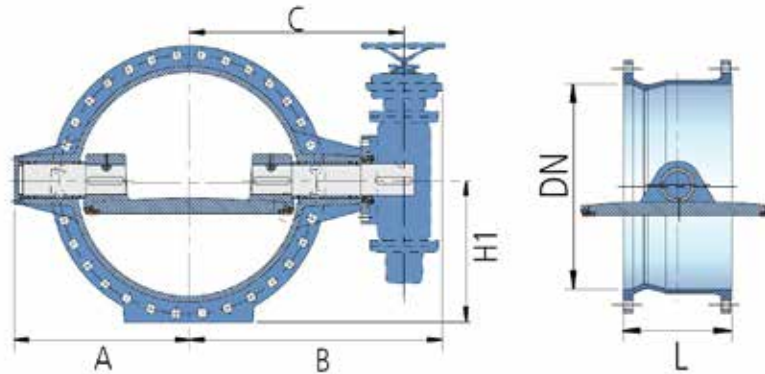
FABRICATION RANGE *DOUBLE ECCENTRIC BUTTERFLY VALVES*

UTILIZATION:

- Double eccentric butterfly valve used for regulation and sectioning of the flow in water supply installations, plumbing, irrigation, etc.
- Ensures a proper and reliable sealing under high pressure and it is 100% water tight.

24 - SERIES

DOUBLE ECCENTRIC BUTTERFLY VALVES



DIMENSIONS

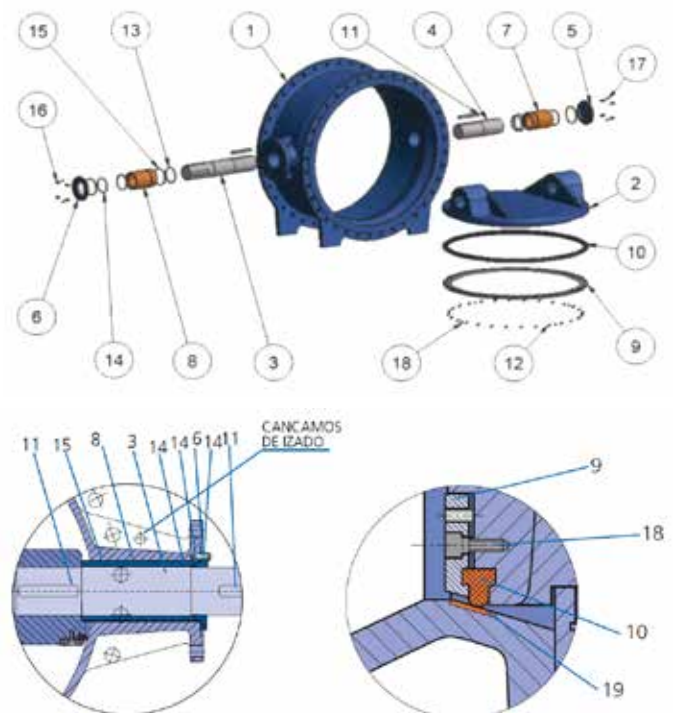
DN	DIN 3202 F4		BS 5155 SHORT		PN 10			PN 16			PN 25						
	L	L	A	B	C	H1	Kgs. (F4)	A	B	C	H1	Kgs. (F4)	A	B	C	H1	Kgs. (F4)
150	210	140	135	275	209	150	33	135	275	209	150	36	135	275	209	150	36
200	230	152	170	320	257	175	46	170	320	257	175	44	170	320	257	175	44
250	250	165	200	350	288	210	67	200	350	288	210	65	200	350	288	210	70
300	270	178	235	400	335	235	85	235	400	335	235	85	240	430	365	245	115
350	290	190	265	430	365	265	120	265	430	365	265	114	275	440	382	285	160
400	310	216	295	465	400	295	143	295	465	400	295	151	320	410	445	315	241
450	330	222	340	515	450	325	219	340	515	450	325	223	355	420	453	340	275
500	350	229	360	550	485	365	228	360	550	485	365	255	380	700	526	370	482
600	390	267	430	610	542	425	346	430	610	542	425	395	453	763	589	430	666
700	430	292	475	640	572	455	446	475	640	636	460	632	530	825	651	490	858
800	470	318	550	865	691	515	752	550	865	691	520	733	583	895	721	550	1090
900	510	330	615	910	736	565	933	625	945	771	470	1055	660	1022	808	600	1507
1000	550	410	675	970	796	620	1088	705	1070	853	635	1390	470	1097	883	670	1860
1100	590	440	760	1049	876	720	1617	765	1122	908	720	1980	770	1175	960	720	2300
1200	630	470	805	1170	953	735	1960	835	1177	963	750	2085	88	1225	1010	770	2760
1300	670	500	850	1235	1018	800	2253	885	1232	1018	800	2700	935	1268	1053	825	3100
1400	710	530	920	1267	1053	845	2570	970	1320	1105	850	3225	1050	1485	1220	885	4815
1500	750	530	975	1307	1133	915	3075	1025	1370	1155	920	3445	1100	1555	1215	935	5025
1600	790	600	1075	1420	1205	975	3720	1100	1530	1265	970	5220	1190	1617	1352	975	4500
1800	870	670	1195	1535	1320	1065	5330	1250	1680	1415	1075	6380	1285	1713	1448	1105	6820
2000	950	760	1290	1725	1460	1170	6880	1385	1812	1547	1180	7450	1400	2100	1700	1215	12550

24 - SERIES

DOUBLE ECCENTRIC BUTTERFLY VALVES



DESCRIPTION		
1	BODY	GJS400
2	DISC	GJS400
3	DRIVING SHAFT	AISI 420
4	SHAFT	AISI 420
5	BONNET	GJS400
6	BUSHES BONNET	GJS400
7	SHORT BUSH	BRONCE
8	LONG BUSH	BRONCE
9	TIGHTENING RING	GJS400
10	RING	EPDM
11	KEY	ST 50
12	BOLT	A2
13	O-RING	EPDM
14	O-RING	EPDM
15	O-RING	EPDM
16	BOLTS	8.8 ZINC PLATED
17	BOLTS	8.8 ZINC PLATED
18	BOLTS AND NUTS	A2
19	SEALING RING	WELDED AISI 316
	PAINTING RAL 5015	Epoxy 250 µm



The images and drawings are non contractual.
The specifications of the shown products could vary without previous notice.

MAIN FEATURES:

- Great durability of the sealing o-ring.
- AISI 316 welded seat.
- 100% water tight.
- The sealing o-ring can be replaced without dismantling the valve.
- Max. working pressure according to design pressure PN10/16.
- Working temperature between -10°C and 90°C.

STANDARDS APPLIED:

- Hydrostatic tests according to EN 12266-1, class A.
- EC directive.
- Side flanges according to ISO 7005-2.
- Distance between flanges according to DIN 3202 F4.
- Top flange according to ISO 5211.
- Certified EN 1074.

