

22A SERIES



FABRICATION RANGE LUG BUTTERFLY VALVE

UTILIZATION:

- Lug butterfly valve used for supplying, pumping, irrigation, drinking water supply, treatment and pumping of dirty waters, etc.
- It has low head loss, and it is 100% watertight.

22 - SERIES

LUG BUTTERFLY VALVES

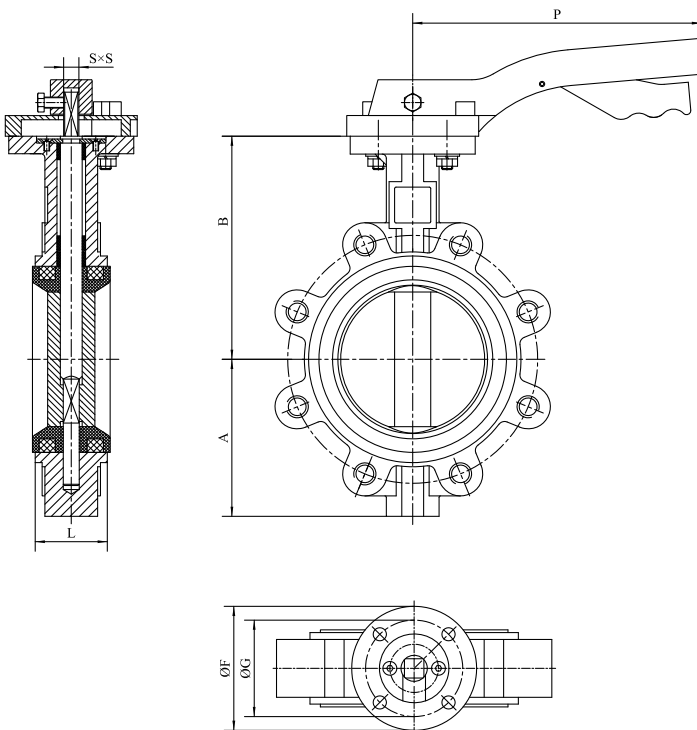


GENERAL FEATURES:

- Low head loss.
- 100% watertight.
- Bidirectional flow.
- No gaskets needed for installation.
- Stainless steel bolts.
- Max. working pressure 16 bar.
- Working temperature between -10°C and 90°C.

STANDARDS APPLIED:

- Hydrostatic tests according to EN 12266-1, class A.
- EC Directive.
- Flange holes according to ISO 7005-2.
- Distance between flanges according to EN 558 series 20.
- Top flange (optional) according to ISO 5211.

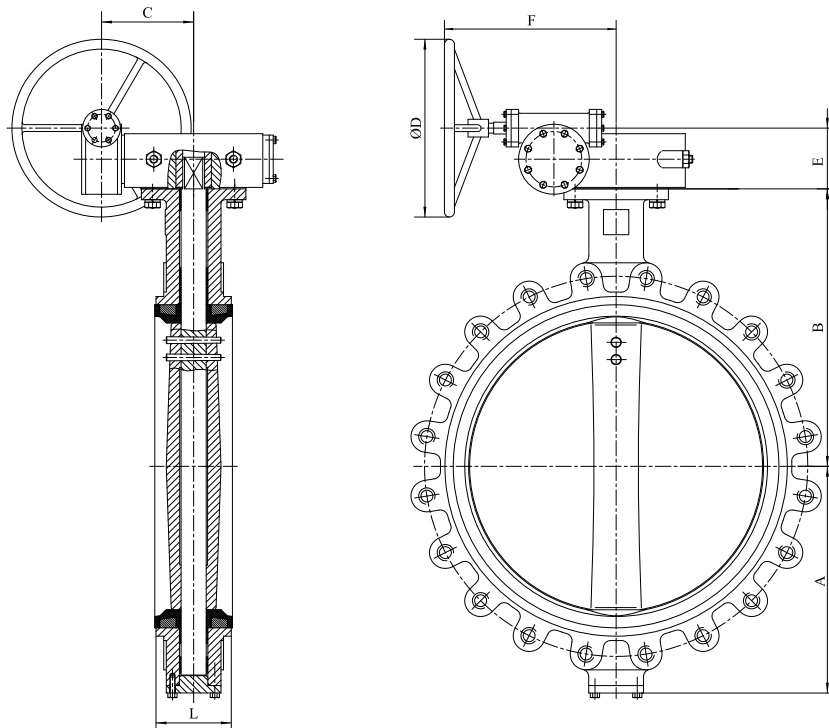


DIMENSIONS

DN	A	B	F	G	P	S
40	70	124	65	50	198	9
50	76	129	65	50	198	9
65	89	126	65	50	198	9
80	95	144	65	50	198	9
100	114	162	90	70	270	11
125	127	188	90	70	270	14
150	139	204	90	70	270	14
200	177	238	90	70	270	17
250	203	282	125	102	540	22
300	242	311	125	102	540	22

The images and drawings are non contractual.
The specifications of the shown products could vary without previous notice.

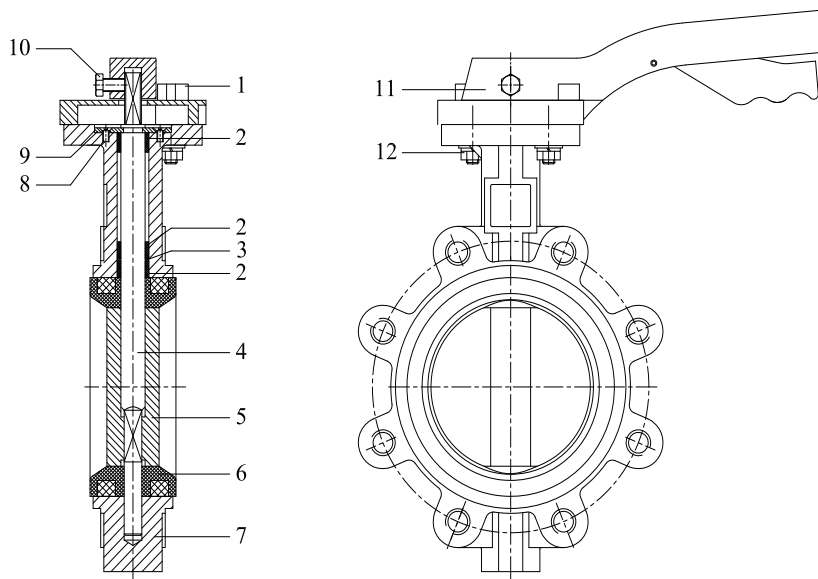
22 - SERIES
LUG BUTTERFLY VALVES



DIMENSIONS

DN	A	B	C	D	E	F	L
350	277	368	80	278	37	225	77
400	308	400	98	376	52	291	102
450	342	422	99	376	52	291	114
500	374	479	170	285	120	252	130
600	459	562	195	376	135	295	152
700	520	624	240	376	172	353	165
800	575	672	240	376	172	353	190
900	635	768	250	420	185	385	207
1000	685	823	250	420	185	385	216
1200	839	940	310	495	247	468	276

22 - SERIES
LUG BUTTERFLY VALVES



DESCRIPTION		
1	LOCKING PLATE	ALUMINUM
2	BUSHING	PTFE
3	O-RING	EPDM
4	STEM	AISI 420
5	DISC	GJS400 / CF8M
6	SEAT	EPDM
7	BODY	GJS400
8	SCREW	A2
9	THRUST WASHER	CARBON STEEL
10	SCREW	A2
11	LEVER	ALUMINUM/CAST IRON
12	BOLTS AND NUTS	A2
	PAINTING RAL 5015	Epoxy 250 µm