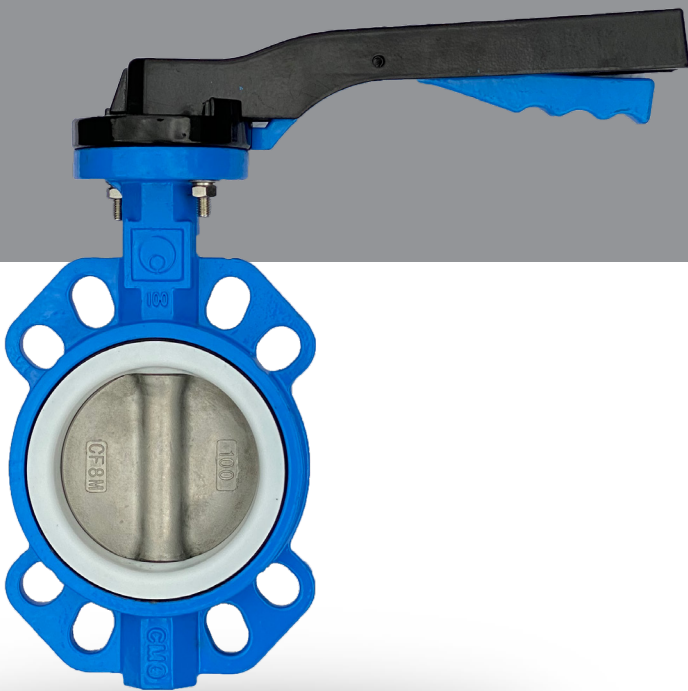


21A-P

SERIES



FABRICATION RANGE WAFER BUTTERFLY VALVE

UTILIZATION:

- Wafer butterfly valve used for supplying, pumping, irrigation, drinking water supply, treatment and pumping of dirty waters, etc.
- It has low head loss, and it is 100% watertight.

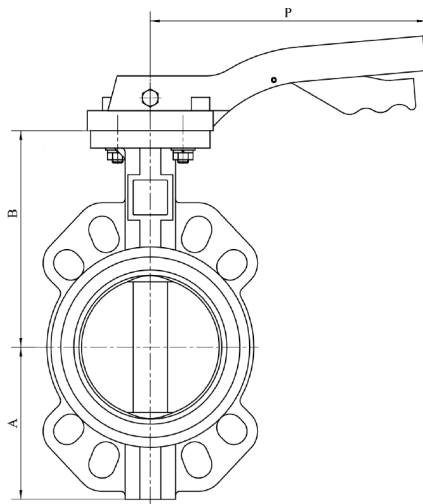
SERIE - 21

WAFER TYPE BUTTERFLY VALVE



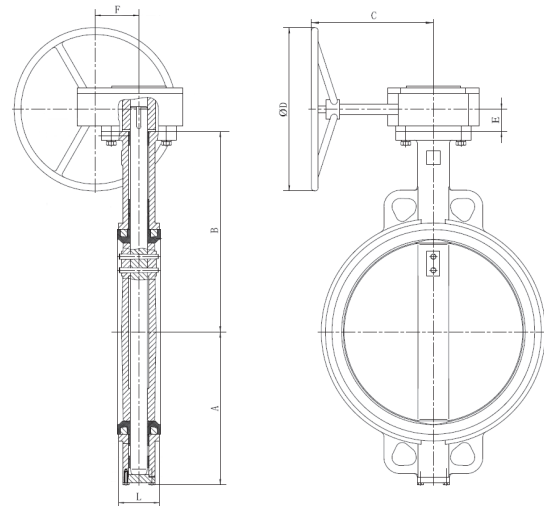
GENERAL FEATURES:

- Low head loss.
- 100% watertight.
- Bidirectional flow.
- No gaskets needed for installation.
- Stainless steel bolts.
- Max. working pressure 16 bar.
- Working temperature between -25°C and 180°C.



STANDARDS APPLIED:

- Hydrostatic tests according to EN 12266-1, class A.
- EC Directive.
- Distance between flanges according to EN 558 series 20.
- Top flange (optional) according to ISO 5211.



DIMENSIONS

DN	A	B	P	Face to Face dist.	Weight
40	70	124	198	33	1.9
50	76	129	198	43	2.5
65	89	136	198	46	2.9
80	95	144	198	46	3.9
100	114	162	270	52	5.2
125	127	188	270	56	7.0
150	139	204	270	56	8.4
200	177	238	270	60	12.0
250	203	282	540	68	22.0
300	242	311	540	78	29.0

DIMENSIONS

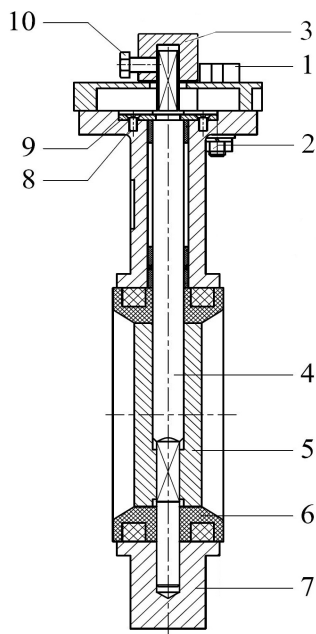
DN	A	B	C	D	E	F	L	Weight
40	79	145					33	4,5
50	85	162					43	5,0
65	98	174					46	5,5
80	104	181	144	260	27	43	46	6,0
100	123	200					52	7,4
125	136	213					56	9,4
150	148	225					56	10,7
200	186	260					60	19,8
250	212	292	208	360	39	66	68	28,7
300	251	337	225	360	37	80	78	37,4

TOP CONNECTION

DN	40	50	65	80	100	125	150	200	250	300
FLANGE	F05	F05	F05	F05	F07	F07	F07	F10	F10	F10
SHAFT	9x9	9x9	9x9	9x9	11x11	14x14	14x14	17x17	22x22	22x22

The images and drawings are non contractual.
The specifications of the shown products could vary without previous notice.

SERIE - 21
WAFER TYPE BUTTERFLY VALVE



DESCRIPTION		
1	BOLTS	A2
2	NUTS	A2
3	LEVER	ALUMINIUM
4	SHAFT	AISI 420
5	DISC	GJS400 / CF8M / ALU-BRONZE / DUPLEX
6	SEAT	PTFE
7	BODY	GJS400
8	O-RINGS	EPDM
9	HOLDING PLATE	STAHL 8.8
10	BOLT	A2
	PAINTING	Epoxy 250 µm RAL 5015