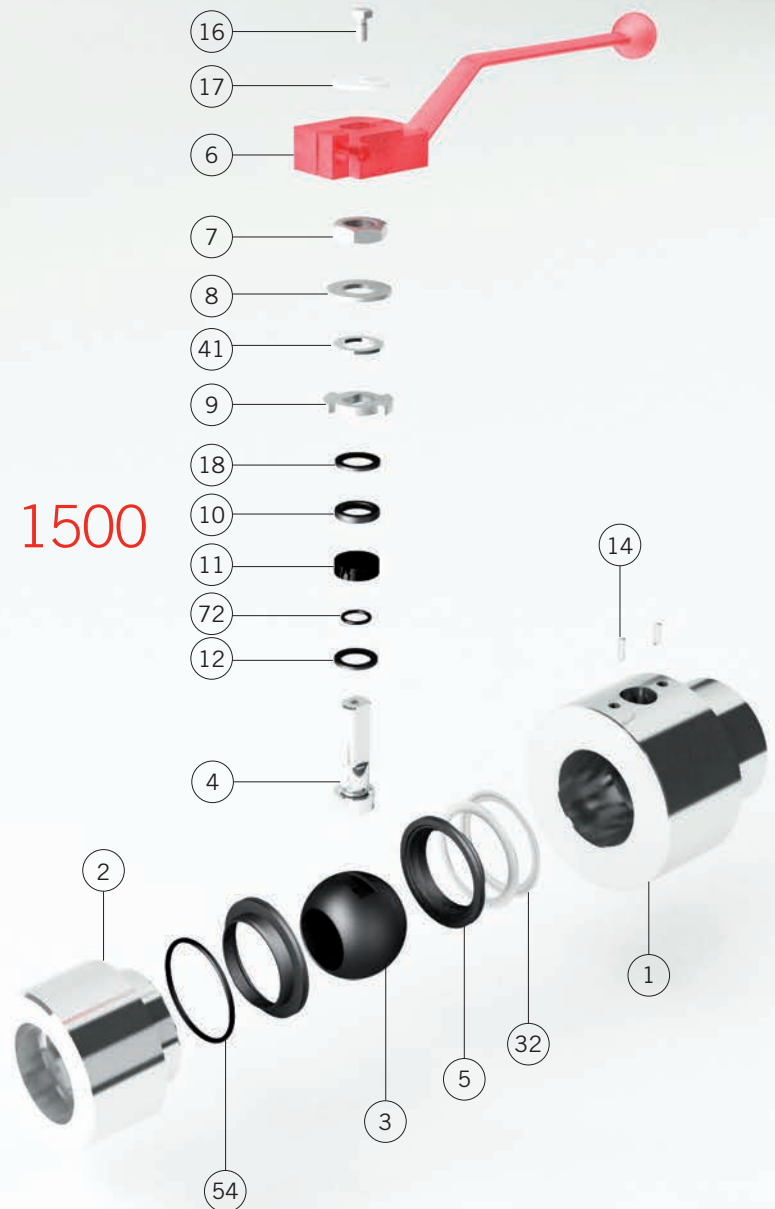


| BALL VALVES |

METAL SEATED UDV

1/2" - 2" | Class 800 - Class 1500

The Ultimate Drain Valve (UDV) it is a high temperature special design. The valve has got a monobloc welded body and it is reduced bore. This valve is designed to support high temperatures at high pressures.

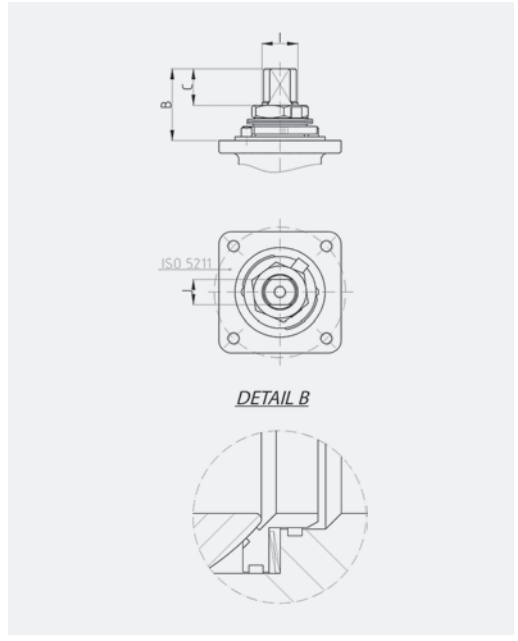
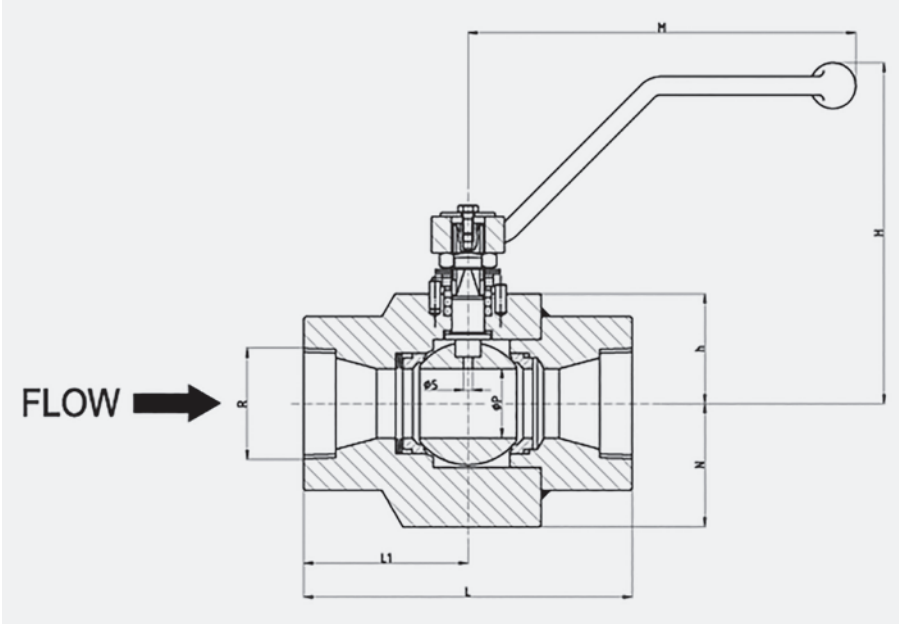


Materials METAL SEATED UDV

Item	Description	C.S. BODY	S.S. BODY
1	Body	A 105	A 479 Type 316
2	Body connector	A 105	A 479 Type 316
3	Ball		AISI 316 + HT-65 (*)
4	Stem		17-4 PH + HT-65 (*)
5	Metallic seat		AISI 316 + HT-65
6	Wrench		GGG-40
7	Gland nut	Zinc plated carbon st.	AISI 303
8	Disk spring	Carbon St.	E.N.P. Carbon St.
9	Stop plate	Carbon St.	AISI 304
10	Gland		AISI 316 + HT-65
11	Gland packing		Graphite
12	Stem thrust seal		AISI 316 + HT-65
14	Stop pin	Carbon St.	Stainless St.
16	Bolt	DIN 933 5.6 Zinc plated	DIN 933 A2
17	Washer	Carbon St.	Stainless St.
18	Thrust washer		AISI 316 + HT-65
32	Disk spring		Inconel 718
41	Spacer	Carbon St.	Stainless St.
54	Seat gasket		Graphite
72	O'ring		AFIas

UDV CLASS 800 & 1500 AIM & IIM TYPE **Class 800 / 1500** **Reduced Bore**

Class 800. From ½" to 2" Class 1500. From ½" to 2"



(*) Diameter of drills ISO 5211 = n x F.

Pressure - Temperature

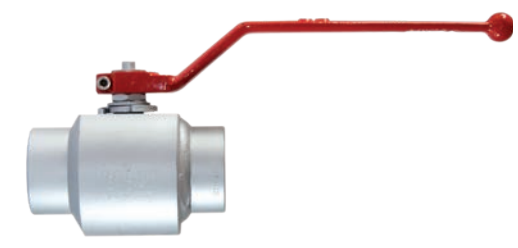
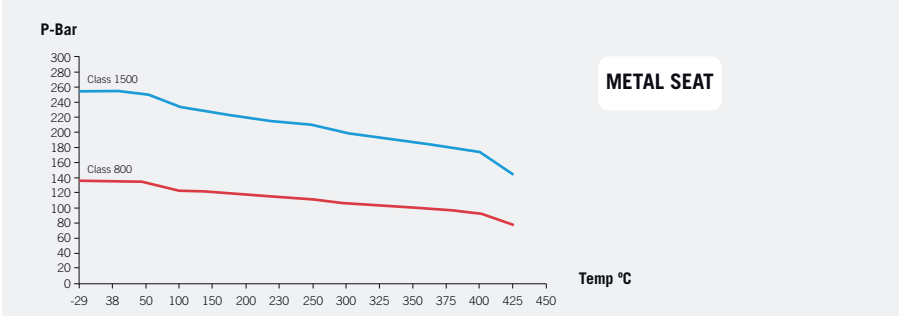


Fig. UDV (Class 800)

DN	ØP	L	L1	R	N	h	H	M	ISO 5211	B	C	I	J	WEIGHT	TORQUE	Kv
½"	15	90	45	NPT	37,5	32	103	164	F04	18,7	6,5	M12x1,5	9	3,5	30	11
¾"	15	110	55	NPT	37,5	32	103	164	F04	18,7	6,5	M12x1,5	9	4,5	30	11
1"	20	120	60	NPT	42,5	35,5	106	164	F05	20	8	M12x1,5	9	5	37	14
1½"	28	150	75	NPT	60	50	112	210	F05	31,5	14,8	M16x1,5	12	6	102	30
2"	36	180	90	NPT	67,5	60	129	213	F07	38,5	18,3	M18x1,5	13	10	173	72

Fig. UDV (Class 1500)

DN	ØP	L	L1	R	N	h	H	M	ISO 5211	B	C	I	J	WEIGHT	TORQUE	Kv
½"	15	90	45	NPT	37,5	32	103	164	F04	18,7	6,5	M12x1,5	9	3,5	39	11
¾"	15	110	55	NPT	37,5	32	103	164	F04	18,7	6,5	M12x1,5	9	4,5	39	11
1"	20	120	60	NPT	42,5	35,5	106	164	F05	20	8	M12x1,5	9	5	54	14
1½"	28	150	75	NPT	60	50	112	210	F05	31,5	14,8	M16x1,5	12	6	161	30
2"	36	180	90	NPT	67,5	60	129	213	F07	38,5	18,3	M18x1,5	13	10	287	72

Dimensions in mm, weight in kg and Torque in Nm. Weights and dimensions can be changed without notice.