



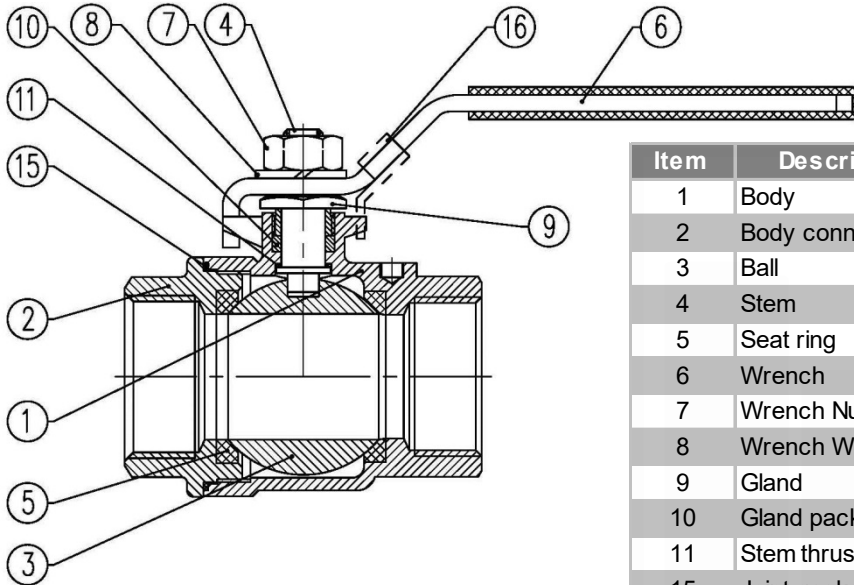
Serie 2001S

FULL BORE

Threaded according:
DIN 259/2999 (GAS)

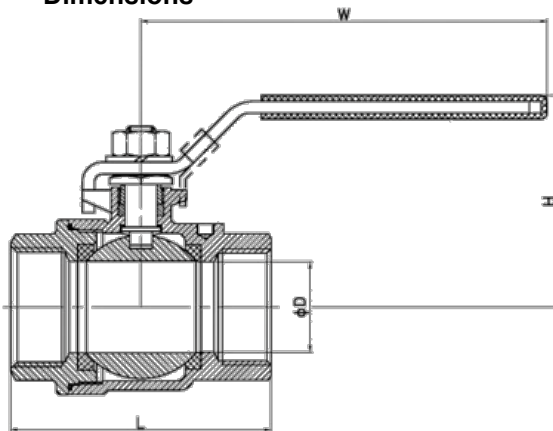


Parts and materials



Item	Description	Material
1	Body	CF8M / CF8
2	Body connector	CF8M / CF8
3	Ball	CF8M / CF8
4	Stem	AISI 316 / 304
5	Seat ring	PTFE
6	Wrench	AISI 304
7	Wrench Nut	AISI 304
8	Wrench Washer	AISI 304
9	Gland	AISI 304
10	Gland packing	PTFE
11	Stem thrust seal	PTFE
15	Joint gasket	PTFE
16	Lock device	AISI 304

Dimensions



SIZE	NPS	ØD	L	W	H	WEIGHT
¼" (DN 8)	¼"	9,2	36	78	41	0,11
⅜" (DN 10)	⅜"	12,5	42	78	46	0,14
½" (DN 15)	½"	15	48	87	50	0,21
¾" (DN 20)	¾"	20	58	97	57	0,32
1" (DN 25)	1"	25	68,5	123	68	0,51
1¼" (DN 32)	1¼"	32	80	123	77	0,79
1½" (DN 40)	1½"	38	90,5	152	85	1,22
2" (DN 50)	2"	50	109	152	94	1,94
2½" (DN 65)	2½"	65	139	215	126	4,65
3" (DN 80)	3"	80	157	215	138	6,91
4" (DN 100)	4"	100	200	305	163	13,37

Note: (*) Dimensions in mm and weight in kg.
 Dimensions not subject to International Standards can vary in $\pm 10\%$. ICP reserves the right to change those dimensions without notice, due to they do not affect integrity and performance of the valves.

DESIGN STANDARDS	
Valves design	EN 1983:2013
Ends	Threaded according: DIN 259/2999 (GAS)
TESTS AND CERTIFICATES	
Quality Assurance	ISO 9001
Pressure testing	EN 12266-1:2012

Torque Values in Nm

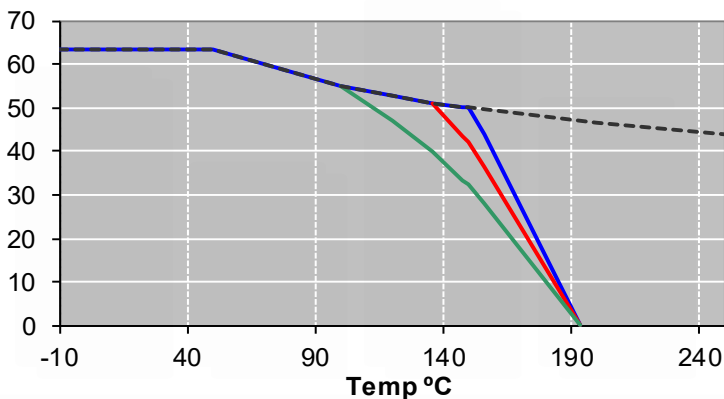
VALVE SIZE	AT DIFFERENTIAL PRESSURE 63 bar	VALVE SIZE	AT DIFFERENTIAL PRESSURE 63 bar
1/4" (DN 8)	2-3	1 1/4" (DN 32)	12-14
3/8" (DN 10)	3-4	1 1/2" (DN 40)	18-25
1/2" (DN 15)	4-5	2" (DN 50)	25-30
3/4" (DN 20)	6-8	2 1/2" (DN 65)	50-60
1" (DN 25)	8-10	3" (DN 80)	60-70
		4" (DN 100)	90-120

Kv Values in m³/h

VALVE SIZE	Kv	VALVE SIZE	Kv
1/4" (DN 8)	5,7	1 1/4" (DN 32)	49,3
3/8" (DN 10)	6,8	1 1/2" (DN 40)	69,2
1/2" (DN 15)	9,7	2" (DN 50)	129,8
3/4" (DN 20)	18,2	2 1/2" (DN 65)	229,2
1" (DN 25)	30,3	3" (DN 80)	359,0
		4" (DN 100)	675,0

Pressure-Temperature

P Bar



— 1/4" - 1"
— 1 1/4" - 1 1/2"
— 2" - 4"